



SUZUKI MARINE

Parts Book

Cabrea

EL 40



(732) 264-7176

(800) 338-0645 FAX (732) 264-2472

www.brownspoint.com

PREFACE

When it becomes necessary to replace parts on CABREA OUTBOARD MOTORS, always use CABREA GENUINE PARTS which have passed a strict inspection which guarantees quality and performance.

This parts catalogue covers the list of all service parts for CABREA EL40.

INSTRUCTIONS FOR QUOTING THE CATALOGUE

1. DIMENSIONS

Dimensions of the parts in this catalogue are indicated in unit millimeters.

2. ABBREVIATIONS

Abbreviations used in this catalogue are as follows:

AR	: As required	NT	: Number of teeth
ASSY	: Assembly	OPT	: Optional
E.No.	: Engine number	OS	: Over size
F.No.	: Frame number	STD	: Standard
d	: Diameter of material	T	: Thickness
ID	: Inside diameter	US	: Under size
OD	: Outside diameter	W	: Width
L	: Length	A,B,C	: Transom type
LH	: Left hand side	A=	SHORTSHAFT 15"
RH	: Right hand side	B=	LONGSHAFT 20"
-123456	: Up to F.No.4001-123456	C=	EXTRALONG 25"
123456-	: From F.No.4001-123456		

$\frac{12}{2} \times \frac{34}{2} \times \frac{5.6}{2}$ Figures in the description column show the dimensions of parts.

ID OD T(or W,L)

3. INNER PARTS OF ASSEMBLY

Parts number that have a period (.) mark in front of the part description on a text page are separately serviced parts of the assembly.

4. MODIFICATION NOTICE

A parts bulletin will be sent to you on all occasions when changes in parts occur, including interchangeable modifications between new parts and old ones.

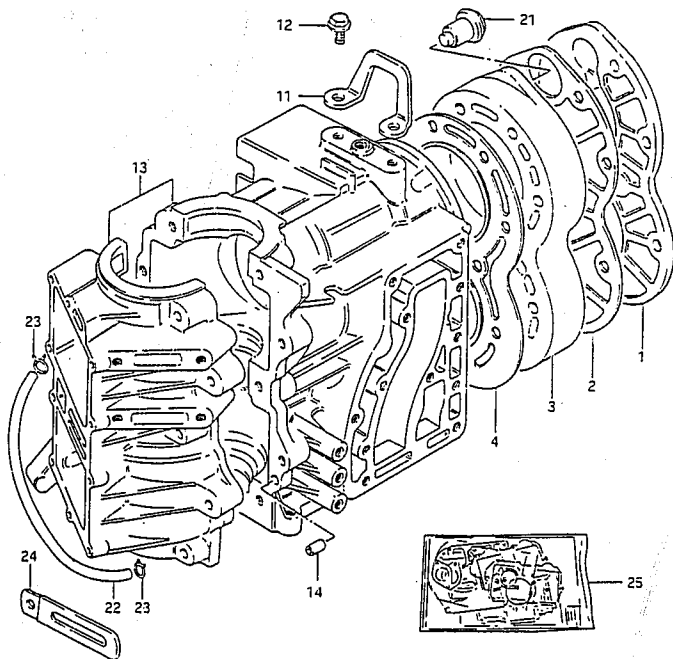
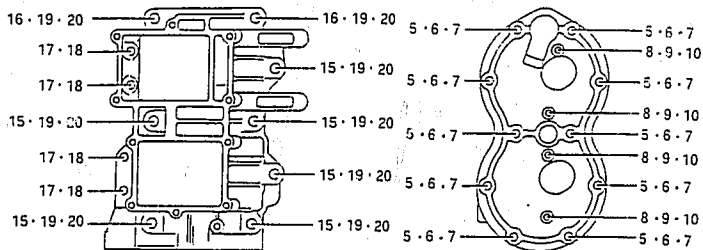
5. NOTE

- 5-1. There are some different parts from those of production models among spare parts for the administrative reasons and common use of them with other models.
- 5-2. In respect of rubber hoses and vinyl tubes, please be sure to use them by cutting off according to the length mentioned on parts catalogue or what is actually required on the vehicle.
- 5-3. Note that the drawings on the illustration page are for ready reference of spare parts number, not to be used as an assembly manual. When assembling, use "CABREA SERVICE MANUAL".

6. ENGINE NUMBER

CABREA EL 40 : 4001-831207-

FIG.1



1

FIG.1 (8- 2) CYLINDER

Q'TY

REF.NO.	PART NO.	DESCRIPTION	Q'TY	REMARKS
1	11161-94301-10V	COVER, cylinder head	1	
2-1	11162-94310	GASKET, cylinder head cover	1	
2-2	11162-94320	GASKET, cylinder head cover	1	
3	11111-94301-10V	CYLINDER HEAD	1	
4	11141-94303	GASKET, cylinder head	1	
5	01107-08652	BOLT	10	
6	08321-21082	LOCK WASHER	10	
7	08322-21082	WASHER	10	
8	01107-06252	BOLT	4	
9	08321-21062	LOCK WASHER	4	
10	08322-21062	WASHER	4	
11	11291-94302	HOOK, engine	1	
12	01517-08202	BOLT	2	
13	11301-94305-10V	CYLINDER/CRANKCASE ASSY	1	
14	04211-09109	.DOWEL PIN	2	
15	01107-10552	.BOLT	6	
16	01107-10652	.BOLT	2	
17	01107-06252	.BOLT	4	
18	08322-21062	.WASHER	4	
19	08321-21102	.LOCK WASHER	8	
20	08322-21102	.WASHER	8	
21	17670-93962	THERMOSTAT	1	
22	09354-25703-300	HOSE, lubrication	1	L:300
23	09401-06403	CLIP	2	
24	09404-06204	CLAMP, lubrication hose	1	
25	11400-94832	GASKET SET	1	OPT

FIG.2

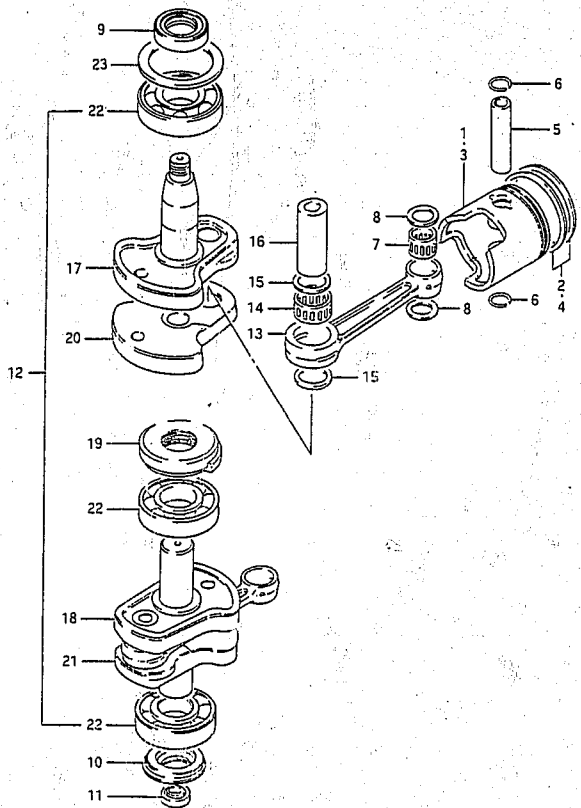
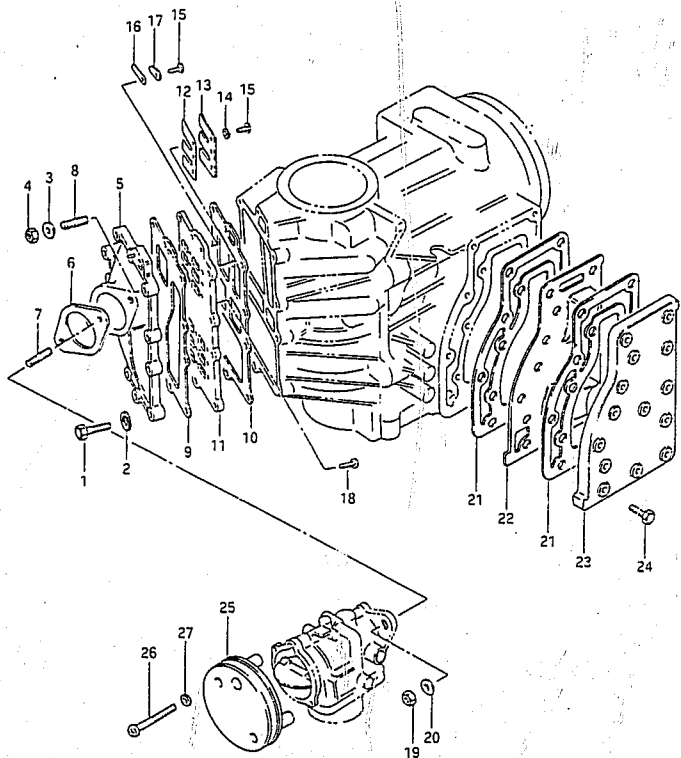


FIG.2 (8- 3) CRANKSHAFT

REF.NO.	PART NO.	DESCRIPTION	Q'TY	REMARKS
1-1	12110-94303	PISTON	2	
1-2	12110-94303-025	PISTON (OS:0.25)	2	OPT
1-3	12110-94303-050	PISTON (OS:0.50)	2	OPT
2-1	12140-94301	RING SET, piston	2	
2-2	12140-94301-025	RING SET, piston (OS:0.25)	2	OPT
2-3	12140-94301-050	RING SET, piston (OS:0.50)	2	OPT
3-1	12110-94354	PISTON	2	OPT
3-2	12110-94354-025	PISTON (OS:0.25)	2	OPT
3-3	12110-94354-050	PISTON (OS:0.50)	2	OPT
4-1	12140-94351	RING SET, piston	2	OPT
4-2	12140-94351-025	RING SET, piston (OS:0.25)	2	OPT
4-3	12140-94351-050	RING SET, piston (OS:0.50)	2	OPT
5	12151-97500	PIN, piston	2	
6	09381-18002	CIRCLIP, piston pin	4	
7	09263-18015	BEARING, piston pin	2	
8	09169-18004	WASHER, connecting rod	4	
9	09283-30011	OIL SEAL, upper crankshaft	1	30x55x10
10	09283-30042	OIL SEAL, lower crankshaft	1	
11	09282-17004	OIL SEAL, drive shaft upper	1	17x28x6
12	12200-94307	CRANKSHAFT ASSY	1	
13	12161-94300	.ROD, connecting	2	
14	09263-25028	.BEARING, crank pin	2	
15	08211-25322	.WASHER	4	
16	12211-94302	.PIN, crank 4001-111060-	2	
17	12221-94300	.CRANKSHAFT, upper	1	
18	12232-94300	.WHEEL, middle lower	1	
19	12321-94303	.SEAL, labyrinth	1	
20	12231-94300	.WHEEL, middle upper	1	
21	12240-94302	.CRANKSHAFT, lower	1	
22	09262-30055	.BEARING, crankshaft	3	30x72x19
23	09181-62005	SHIM	1	

FIG.3



CABREA EL 40

3

FIG.3 (8- 4) INLET CASE - EXHAUST COVER

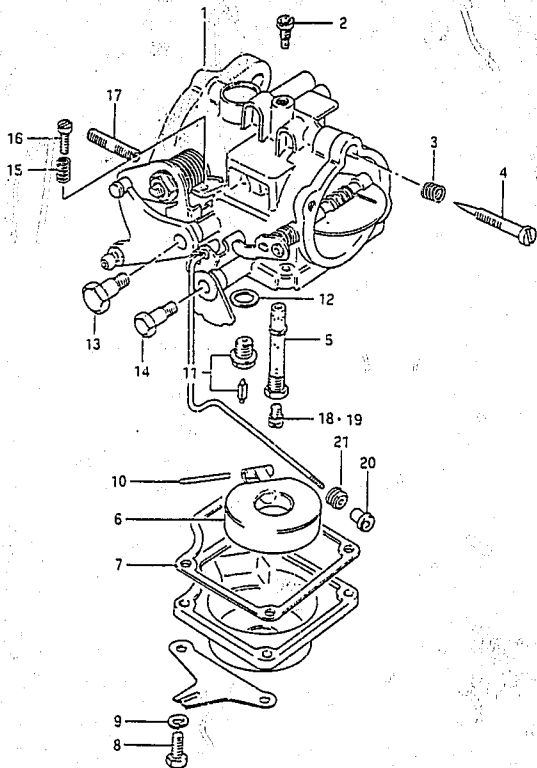
Q'TY

REF.NO.	PART NO.	DESCRIPTION	Q'TY	REMARKS
1	01107-06302	BOLT	8	
2	08322-21062	WASHER	8	
3	08322-21062	WASHER	2	
4	08310-11062	NUT	2	
5	12480-94300-10V	CASE, inlet	1	
6	13125-95200	GASKET, carburetor	1	
7	01411-08202	STUD BOLT	1	
8	01421-06252	STUD BOLT	2	
9	13121-94301	GASKET, inlet case	1	
10	13122-94300	GASKET, valve sheet	1	
11	13150-94301	VALVE ASSY, reed	1	
12	13153-94301	.VALVE, reed	4	
13	13152-94300	.STOPPER, reed valve	4	
14	08321-21038	.LOCK WASHER	13	
15	02112-03068	.SCREW	13	
16	16411-93010	.REED VALVE, lubrication	1	
17	16421-93010	.STOPPER	1	
18	09126-06008	SCREW	1	
19	08310-22082	NUT	2	
20	08322-11082	WASHER	2	
21	14151-94300	GASKET, exhaust cover	2	
22	14131-94300	PLATE, exhaust	1	
23	14141-94300-10V	COVER, exhaust	1	
24	01517-06252	BOLT	14	
25	13811-94301	CASE, silencer	1	
26	02112-06402	SCREW	2	
27	08322-21062	WASHER	2	

CABREA EL 40

B4

FIG.4



4

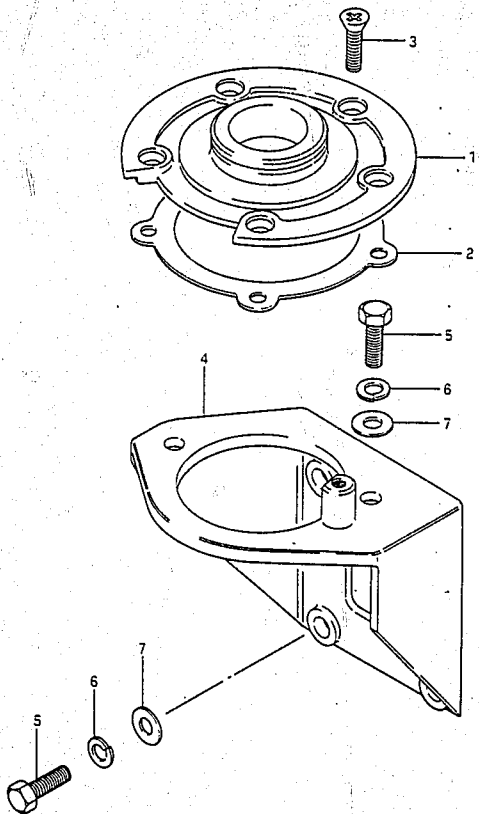
FIG.4 (B- 5) CARBURETOR

REF.NO.	PART NO.	DESCRIPTION	Q'TY	REMARKS
1	13200-94311	CARBURETOR ASSY	1	STAMP:94311
2	09492-80003	.JET, pilot (#80)	1	
3	13271-93311	.SPRING, air screw	1	
4	13269-95210	.SCREW, pilot air	1	
5	13235-95210	.NOZZLE	1	
6	13250-93012	.FLOAT	1	
7	13251-95210	.GASKET, float chamber	1	
8	09125-05048	.SCREW	4	
9	09162-05002	.LOCK WASHER	4	
10	13254-93010	.PIN, float	1	
11	13370-28110	.VALVE ASSY, needle	1	
12	13392-58600	.GASKET	1	
13	13612-94300	.BOLT	1	
14	13613-94300	.BOLT	1	
15	13268-96110	.SPRING, stop screw	1	
16	13267-93900	.SCREW, throttle stop	1	
17	01411-08208	.STUD BOLT	1	
18	09491-40007	.JET, main (#200)	1	
19-1	09491-38007	JET, main (#190)	1	OPT
19-2	09491-42003	JET, main (#210)	1	OPT
19-3	09491-38008	JET, main (#195)	1	OPT
20	13631-93500	KNOB, starter	1	
21	09305-04005	BUSHING, starter rod	1	

FIG.5

5

FIG.5 (B- 6) UPPER OIL SEAL HOUSING



Q'TY

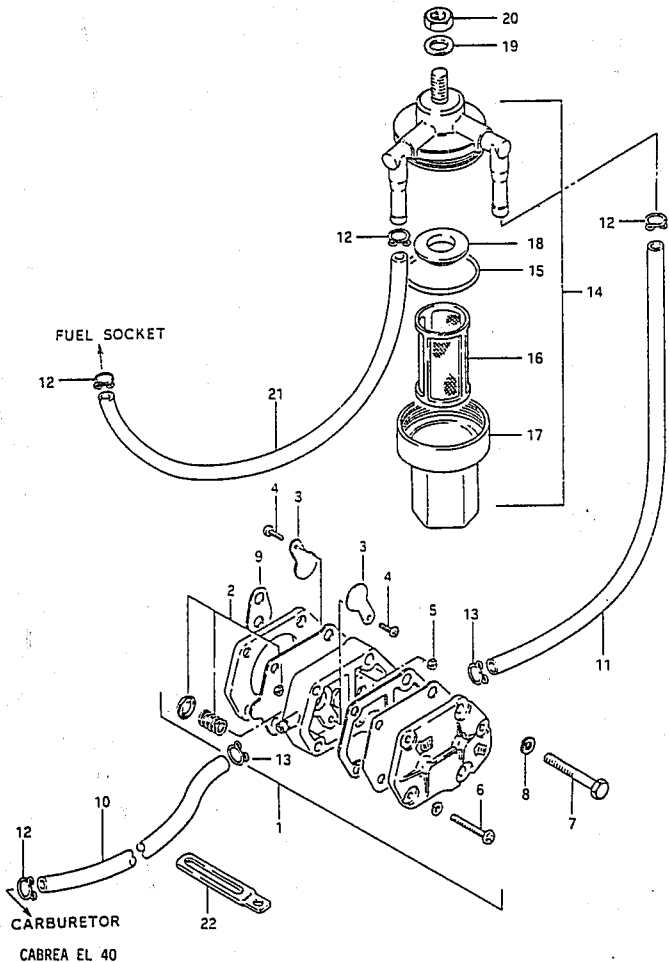
REMARKS

REF.NO.	PART NO.	DESCRIPTION	Q'TY	REMARKS
1	11411-94301	HOUSING, upper oil seal	1	
2	11413-94300	GASKET, upper seal housing	1	
3	02122-06202	SCREW	5	
4	31911-94311-10V	BRACKET, starting motor	1	
5	01107-08252	BOLT	6	
6	08321-21082	LOCK WASHER	6	
7	08322-21082	WASHER	6	

FIG.6

FIG.6 (B- 7) FUEL PUMP

Q'TY

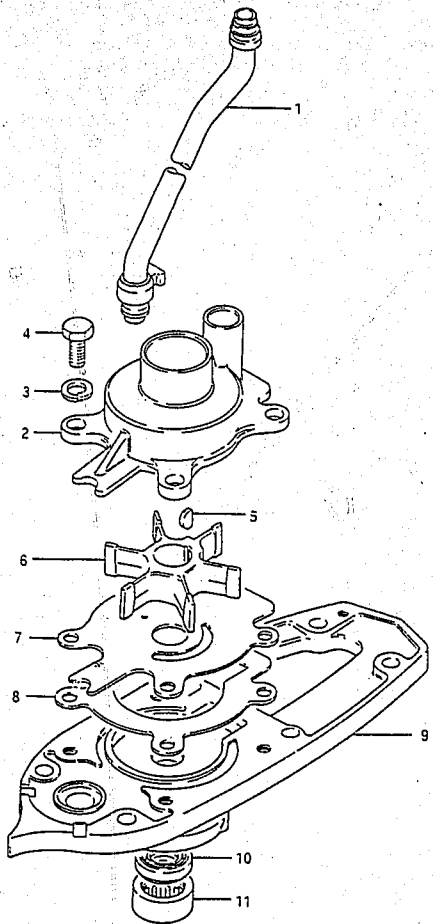


REF.NO.	PART NO.	DESCRIPTION	Q'TY	REMARKS
1	15100-94302	PUMP ASSY, fuel	1	
2	15170-94311	.DIAPHRAGM SET	1	
3	15181-94301	.PLATE, fuel pump	2	
4	15183-94301	.SCREW	2	
5	15186-94300	.NUT	2	
6	15851-94300	.SCREW	3	
7	01107-06402	BOLT	2	
8	08321-21062	LOCK WASHER	2	
9	15321-99700	GASKET, fuel pump	1	
10	09352-50903-540	HOSE, fuel (pump to carb)	1	L:540+240
11	09352-50903-540	HOSE, fuel (filter to pump)	1	L:540+180
12	09401-08410	CLIP, fuel hose	4	
13	15331-94300	.CLIP, fuel hose	2	
14	15410-93400	FILTER ASSY, fuel	1	
15	15415-93400	.O RING	1	
16	15412-93400	.STRAINER	1	
17	15413-93400	.CUP	1	
18	15416-93400	.PACKING	1	
19	08322-21082	WASHER	1	
20	08310-22082	NUT	1	
21	09352-50903-540	HOSE, fuel (Connect to filter)	1	L:540+350
22	09404-06204	CLAMP, fuel hose	1	

FIG.7

7

FIG.7 (B- 8) WATER PUMP



REF.NO.	PART NO.	DESCRIPTION	Q'TY	REMARKS
1-1	17560-94300	TUBE, water	1	B TYPE
1-2	17560-94310	TUBE, water	1	A TYPE
1-3	17560-94340	TUBE, water	1	C TYPE
2	17411-95204	CASE, water pump	1	
3	09162-08003	LOCK WASHER	4	
4	09100-08139	BOLT	4	
5	09420-04005	KEY	1	
6	17461-94700	IMPELLER, water pump	1	
7	17471-95204	PLATE, pump case lower	1	
8	17472-95300	GASKET	1	
9	56130-94304-10V	HOUSING, drive shaft bearing	1	
10	09289-17006	.OIL SEAL, drive shaft	2	
11	09263-25025	.BEARING, drive shaft	1	

FIG. 8

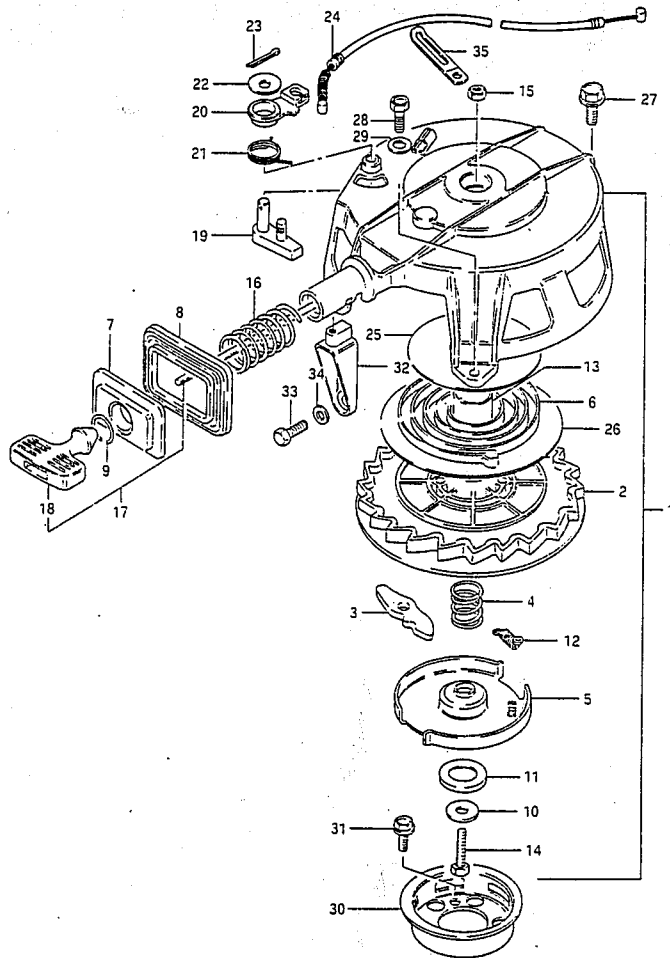
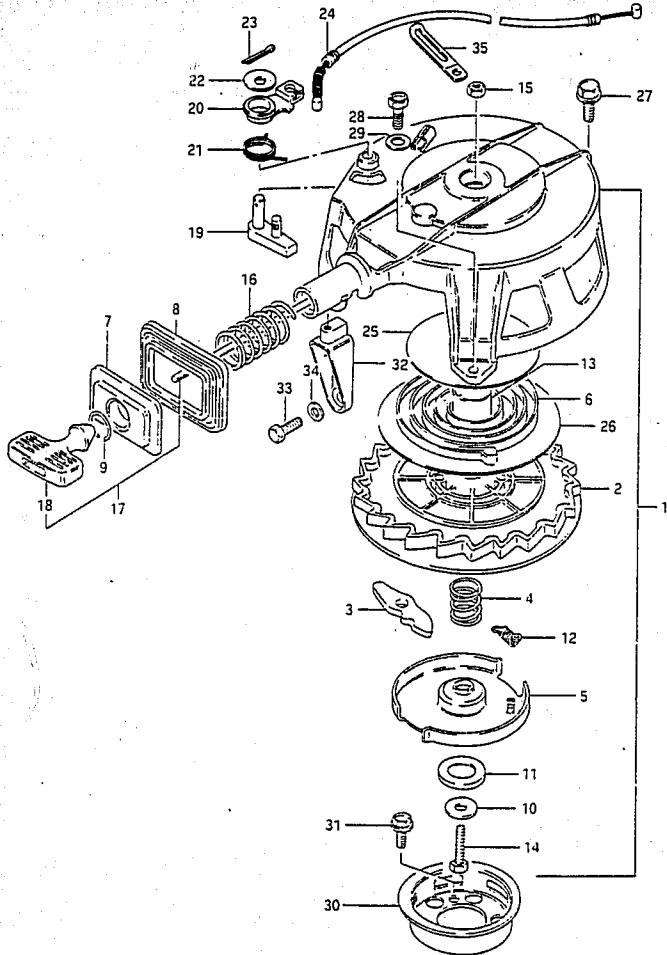


FIG. 8 (8- 9) STARTER

REF.NO.	PART NO.	DESCRIPTION	Q'TY	REMARKS
1	18100-94323	STARTER ASSY, recoil	1	
2	18120-94300	.SHEAVE DRUM	1	
3	18131-94302	.PAWL, drive	1	
4	18153-95200	.SPRING, friction	1	
5	18151-94300	.PLATE, drive	1	
6	18142-93000	.SPRING	1	
7	18191-95202	.PLATE, guide	1	
8	18192-95204	.RUBBER, guide plate	1	
9	18195-95200	.CLIP	1	
10	18335-94300	.WASHER	1	
11	18162-94300	.WASHER, drive plate	1	
12	18155-94300	.SPRING, return	1	
13	18124-94300	.BUSHING	1	
14	18332-94300	.BOLT	1	
15	08310-11067	.NUT	1	
16	18196-96301	.SPRING, guide plate	1	
17	18200-95203	.GRIP ASSY	1	
18	18210-93001	..GRIP	1	
19	18281-96300	.LEVER, stopper	1	
20	18282-96300	.ARM, stopper	1	
21	18284-96300	.SPRING	1	
22	18335-96300	.WASHER	1	
23	18348-96300	.PIN	1	
24	18290-94300	.CABLE, NSI	1	
25	18144-96300	.PLATE	1	
26	18144-94300	.PLATE	1	
27	01517-08252	BOLT	1	
28	01107-06252	BOLT	2	
29	08322-21062	WASHER	2	
30	18411-94302	CUP, starter	1	
31	01517-08162	BOLT	3	

FIG. 8

FIG. 8 (B-10) STARTER

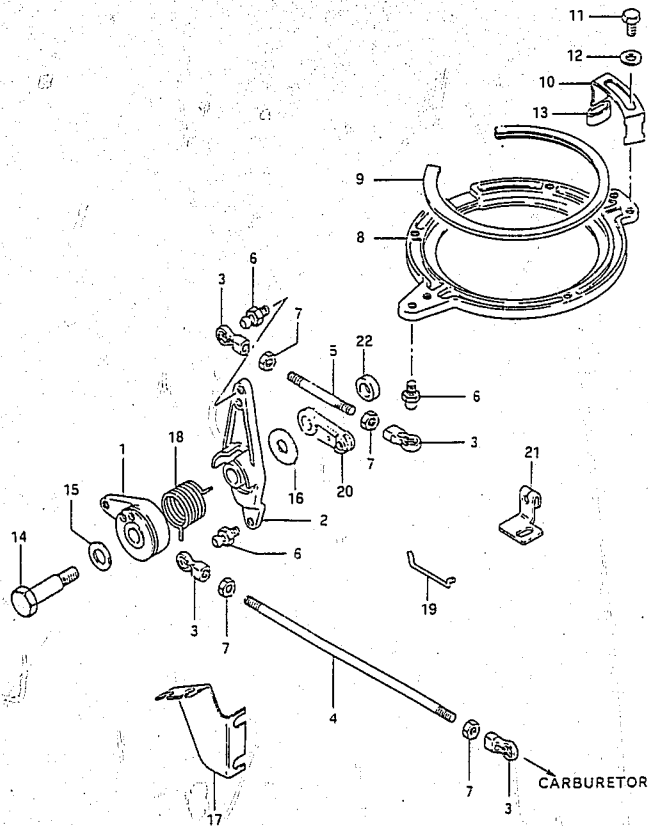


REF.NO.	PART NO.	DESCRIPTION	Q'TY	REMARKS
32	18711-94301-10V	BRACE, recoil starter RH	1	
33	01107-06202	BOLT	2	
34	08322-21062	WASHER	2	
35	09404-06204	CLAMP, NSI cable	1	

FIG. 9

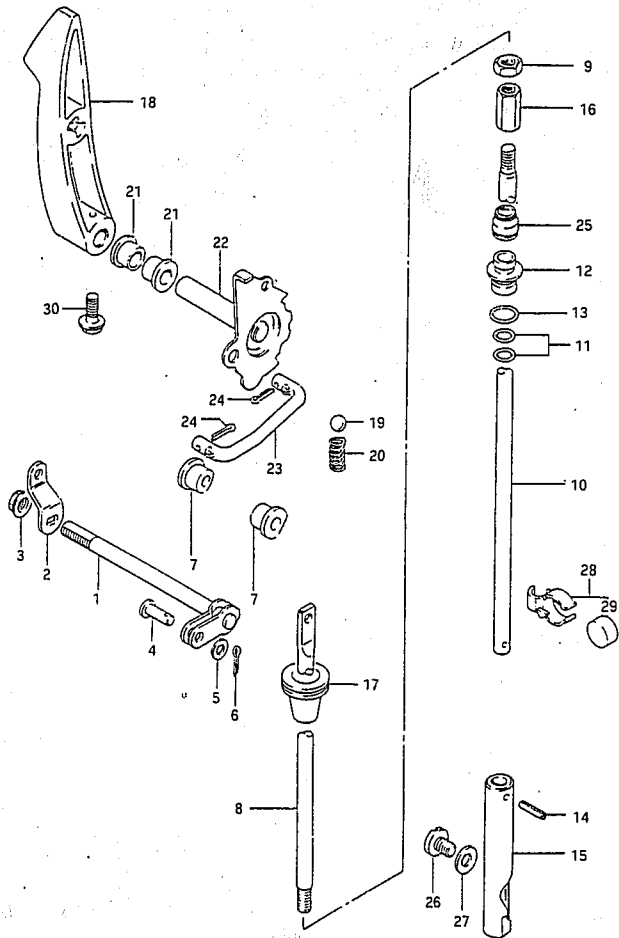
10

FIG. 9 (C- 2) THROTTLE CONTROL



REF.NO.	PART NO.	DESCRIPTION	Q'TY	REMARKS
1	19121-94300	LEVER, throttle control	1	
2	19122-94300	LEVER, inter link throttle	1	
3	19131-95502	CONNECTOR	6	
4	19135-94300	ROD (inter link+starter)	1	L:187
5	19136-94301	ROD (inter link+starter)	1	L:55
6	09119-05010	BALL PIVOT	4	
7	08310-11052	CONNECTOR	6	
8	19151-94301-10V	RETAINER, stator	1	
9	19161-94301	SPACER, stator	1	
10	19172-94311	STOPPER, stator	1	
11	01107-05102	BOLT	2	
12	08322-21052	WASHER	2	
13	09343-07140	CUSHION	2	
14	09111-08043	BOLT, throttle lever	1	
15	09160-10040	WASHER	1	
16	09160-08054	WASHER	1	
17	19184-94301	BRACKET, throttle cable	1	
18	19185-94300	SPRING, throttle lever	1	
19	19654-94300	ROD, CLUTCH NSI lever	1	
20	19851-96301	LEVER, NSI	1	
21	19861-94300	STAY, NSI cable	1	
22	19859-94300	SPACER, NSI	1	

FIG.10



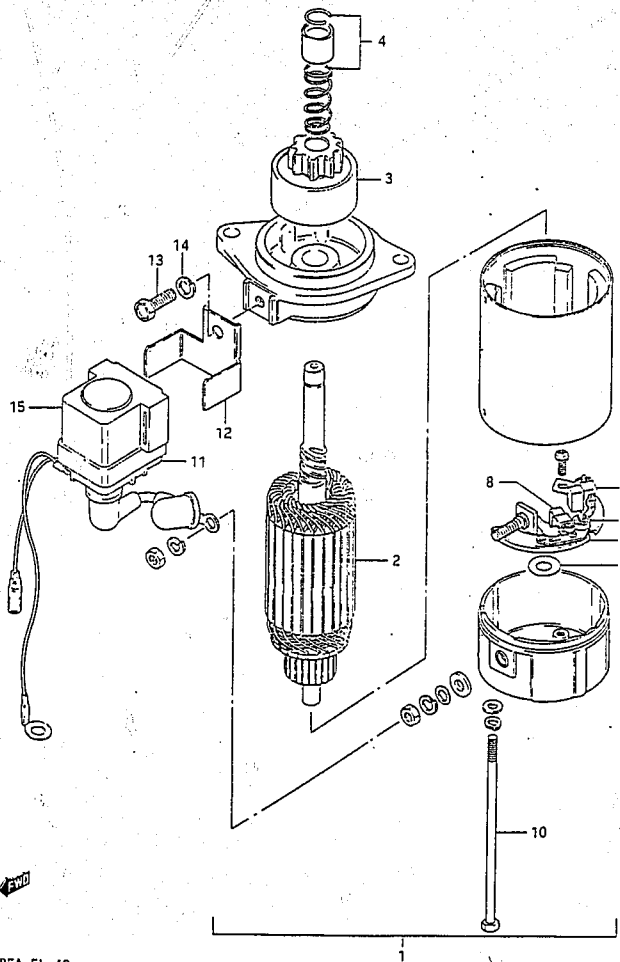
CABREA EL 40

FIG.10 (C-3) CLUTCH

REF.NO.	PART NO.	DESCRIPTION	Q'TY	REMARKS
1	21210-94312	SHAFT, clutch	1	
2	21213-94310	ARM, clutch shaft	1	
3	08319-31087	NUT	1	
4	09200-05006	PIN	1	
5	09160-05010	WASHER	1	
6	09204-01001	PIN	1	
7	09306-08003	BUSHING, clutch shaft center	2	
8	23111-94301	ROD, clutch	1	
9	09140-06004	NUT	1	
10-1	25111-94300	ROD, shift (L:371)	1	B TYPE
10-2	25111-94310	ROD, shift (L:244)	1	A TYPE
10-3	25111-94350	ROD, shift	1	C TYPE
11	09280-08005	O RING (ID:7.6, d:1.8)	2	
12	25211-95203	GUIDE, shifting rod	1	
13	09280-11001	O RING, shifting rod guide	1	
14	09205-03021	PIN, shift rod	1	
15	25311-94302	CAM, shift	1	
16	23311-94300	TURNBUCKLE, clutch rod	1	
17	23131-94300	BOOTS, clutch rod	1	
18	21111-94303-10V	LEVER, clutch	1	
19	09260-10005	BALL, clutch notch	1	
20	09440-07021	SPRING, clutch notch	1	
21	09306-10001	BUSHING, clutch lever shaft	2	
22	21120-94303	PLATE, clutch notch	1	
23	21241-94300	ROD, clutch arm	1	
24	09204-01001	COTTER PIN, clutch arm rod	2	
25	25223-95200	DUST SEAL	1	
26	09139-06035	SCREW, shift cam stop	1	
27	09168-06002	GASKET	1	
28	25230-94300	MAGNET SET, gear case	1	
29	25232-94300	MAGNET, gear case	1	
30	09103-06093	BOLT (6x20)	1	

CABREA EL 40

FIG. 11

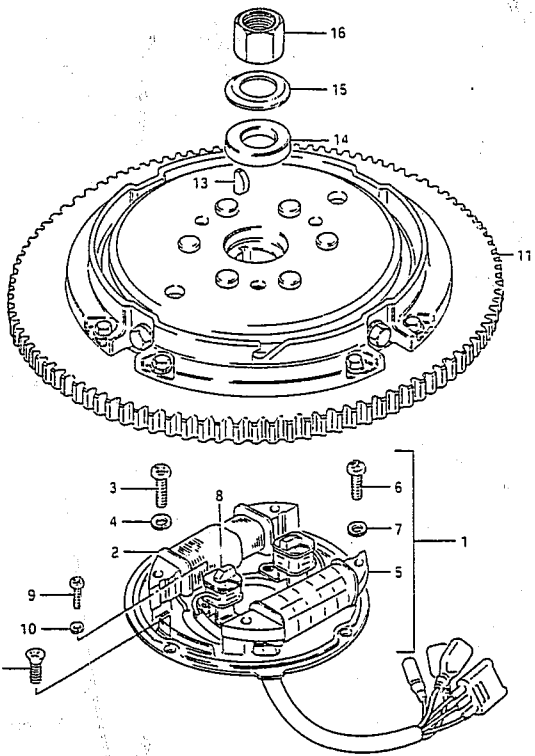


12

FIG.11 (C- 4) STARTING MOTOR

REF.NO.	PART NO.	DESCRIPTION	Q'TY	REMARKS
1	31100-96311	MOTOR ASSY, starter	1	
2	31310-96300	.ARMATURE	1	
3	31320-96300	.PINION	1	
4	31312-96300	.STOPPER SET, pinion	1	
5	31360-96300	.WASHER	1	
6	31173-96301	.HOLDER ASSY, brush	1	
7	31131-96300	..BRUSH (+)	1	
8	31132-96300	..BRUSH (-)	1	
9	31135-96300	..SPRING	1	
10	31281-93340	.BOLT	2	
11	31800-94400	RELAY, starter	1	
12	31805-96350	BRACKET, starter relay	1	
13	01107-06202	BOLT	1	
14	08321-21062	LOCK WASHER	1	
15	38422-94510	DAMPER, starter relay	1	

FIG.12

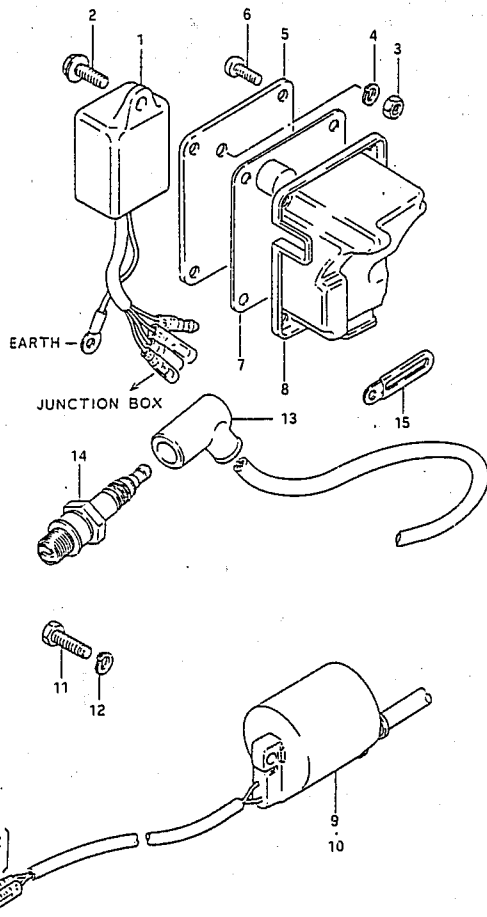


13

FIG.12 (C- 5) MAGNETO

REF.NO.	PART NO.	DESCRIPTION	Q'TY	REMARKS
1	32101-94314	STATOR ASSY	1	
2	32120-95301	.COIL, lighting (12V,80W)	1	
3	02112-05252	.SCREW	2	
4	08321-21052	.LOCK WASHER	2	
5	32140-95320	.COIL, Ignition primary	1	
6	02112-05202	.SCREW	2	
7	08321-21052	.LOCK WASHER	2	
8	32150-95303	.SENSOR, Ignition timing	2	
9	02112-05102	.SCREW	4	
10	08321-21052	.LOCK WASHER	4	
11	32102-94312	FLYWHEEL	1	
12	02122-05122	SCREW	3	
13	08341-31059	KEY	1	
14	09160-18011	WASHER (18.5x35x4)	1	
15	09164-18001	LOCK WASHER	1	
16	08310-22182	NUT	1	

FIG. 13



CABREA EL 40

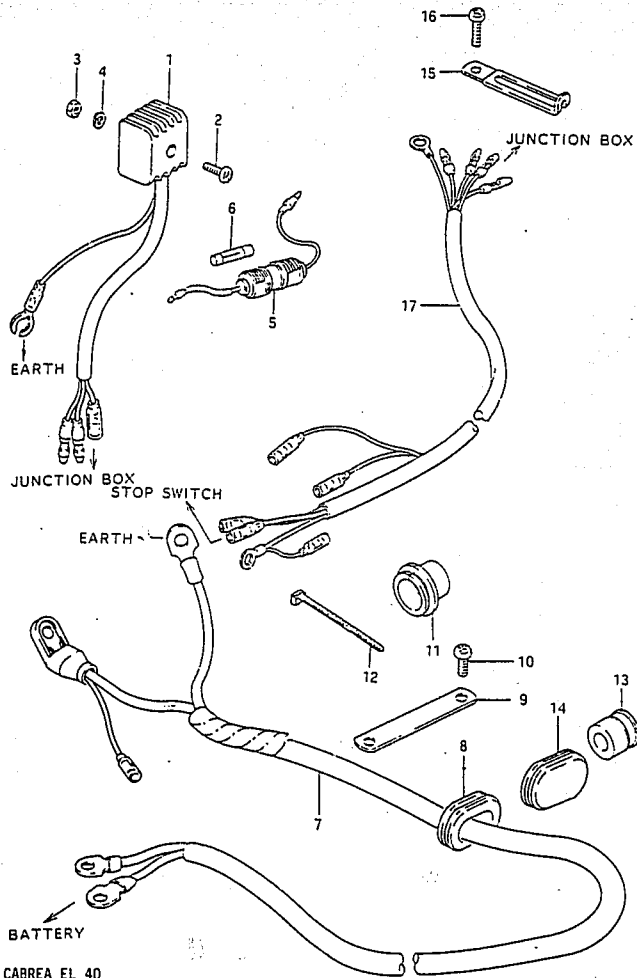
14

FIG. 13 (C- 6) IGNITION

REF.NO.	PART NO.	DESCRIPTION	Q'TY	REMARKS
1	32900-94311	C.D. UNIT, ignition	1	
2	01517-06162	BOLT	1	
3	08310-11062	NUT	1	
4	08321-21062	LOCK WASHER	1	
5	36650-94302	COVER, junction box	1	
6	09125-06053	SCREW	4	
7	36651-94300	INSULATOR, junction box	1	
8	36653-94301	INSULATOR, junction box	1	
9	33410-94310	COIL ASSY, ignition upper	1	
10	33420-94310	COIL ASSY, ignition lower	1	
11	01107-06207	BOLT	4	
12	08321-21067	LOCK WASHER	4	
13	33510-95510	CAP, spark plug	2	
14	09482-00151	SPARK PLUG (NGK, B8HS)	2	
15	09404-06201	CLAMP, ignition coil	1	

CABREA EL 40

FIG.14



CABREA EL 40

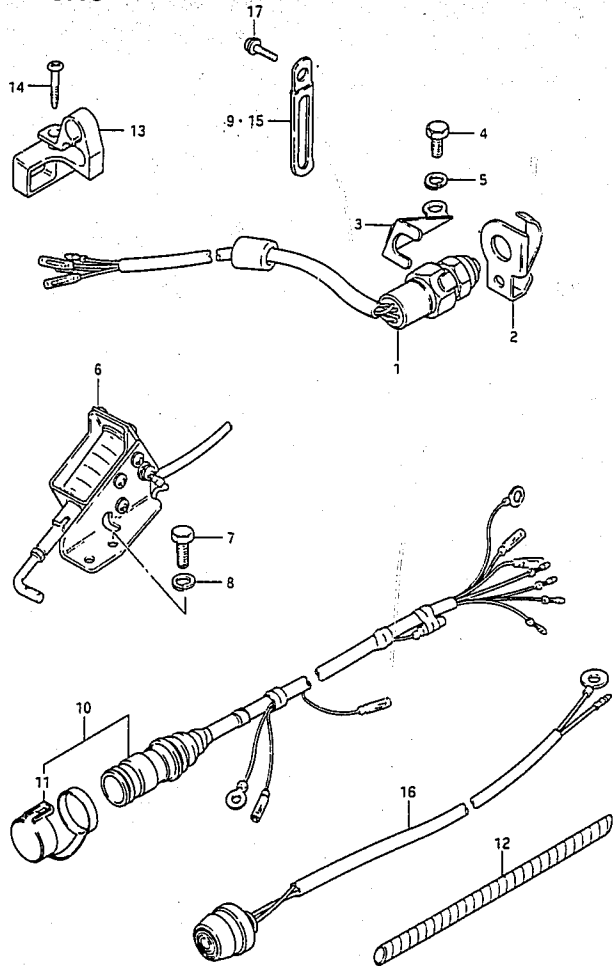
15

FIG.14 (C- 7) ELECTRICAL (1)

REF.NO.	PART NO.	DESCRIPTION	Q'TY	REMARKS
1	32800-95001	RECTIFIER ASSY	1	
2	02112-05252	SCREW	1	
3	08310-11052	NUT	1	
4	08321-21052	LOCK WASHER	1	
5	36740-95252	CASE ASSY, fuse	1	
6	09481-20001	.FUSE (20A)	1	
7	33810-96305	CABLE ASSY, starting motor	1	
8	33811-96300	GROMMET, battery cable	1	
9	33885-94300	CLAMP, battery cable	2	
10	02152-06127	SCREW	4	
11	36612-94301	GROMMET, harness connector	1	
12	36632-95501	CLAMP, connector grommet	1	
13	36613-94300	GROMMET, harness connector	1	
14	33812-94300	CAP, battery cable	1	
15	09404-06203	CLAMP, stop lead wire	1	
16	02152-06122	SCREW	1	
17	36899-94301	LEAD WIRE, stop	1	

CABREA EL 40

FIG.15



CADREA EL 40

16

FIG.15 (C- 8) ELECTRICAL (2)

Q'TY

REF.NO.	PART NO.	DESCRIPTION	REMARKS
1	37721-95255	SWITCH ASSY, neutral	1
2	37725-94302	ACTUATOR, neutral switch	1
3	37726-94303	BRACKET, neutral switch	1
4	01107-06162	BOLT	2
5	08321-21062	LOCK WASHER	2
6	38600-94352	SOLENOID ASSY, choke	1
7	09100-05102	BOLT	2
8	09162-05002	LOCK WASHER	2
9	09404-06202	CLAMP, choke solenoid	1
10	36630-94311	WIRING HARNESS, remote control	1
11	36631-94300	.CAP, remote control harness	1
12	38423-95501	TUBE, remote control harness	1
13	33816-96300	CLAMP, TWO cable	1
14	03242-06259	SCREW	1
15	09404-06203	CLAMP, N.S.I. lead	1
16	37800-93950	SWITCH ASSY, stop	1
17	02152-06122	SCREW	1

CABREA EL 40

FIG.16

17

FIG.16 (D- 2) CLAMP BRACKET

Q'TY

REF.NO.	PART NO.	DESCRIPTION	REMARKS
1	41110-94401-10V	BRACKET, clamp STBD	1
2	41120-94401-10V	BRACKET, clamp PORT	1
3	41212-93000-10V	HANDLE, clamp	2
4	09205-06012	SPRING PIN	2
5	41211-95250	SCREW, clamp	2
6	41213-98100	PLATE, clamp	2
7	41151-94500	CAP, clamp bracket shaft	2
8	09100-08224	BOLT	2
9	09162-08007	LOCK WASHER	2
10	41130-94330	SHAFT, clamp bracket (L:300)	1
11	41153-96300	CAP, transom bolt	2
12	45420-94311	PIN, tilt lock	1
13	09441-17002	.SPRING	1
14	41310-94400	ROD, clamp bracket lower	1
15	09100-08239	BOLT	2
16	09140-08016	NUT	2
17	09160-08081	WASHER	4
18	09162-08007	LOCK WASHER	2
19	09159-22003	NUT	1
20	41223-94304	ARM, tilt stop	1 L:94.5
21	09111-12008	BOLT	2
22	09111-10033	BOLT	2
23	09140-10031	NUT	2
24	09160-10082	WASHER	2
25	09162-10005	LOCK WASHER	2
26	09448-29009	SPRING	1
27	41141-94300	ATTACHMENT, steering cable	1 OPT
28	41222-94311	ARM, tilt lock	1 L:94.5
29	36894-95200	LEAD	1
30	09125-05050	SCREW	2
31	09161-05014	WASHER	2
32	09160-22033	WASHER	3
33	55320-95310	ZINC SET, protection	1
34	41222-94350	ARM, tilt lock	1 OPT,L:110.5
35	41223-94350	ARM, tilt stop	1 OPT,L:110.5

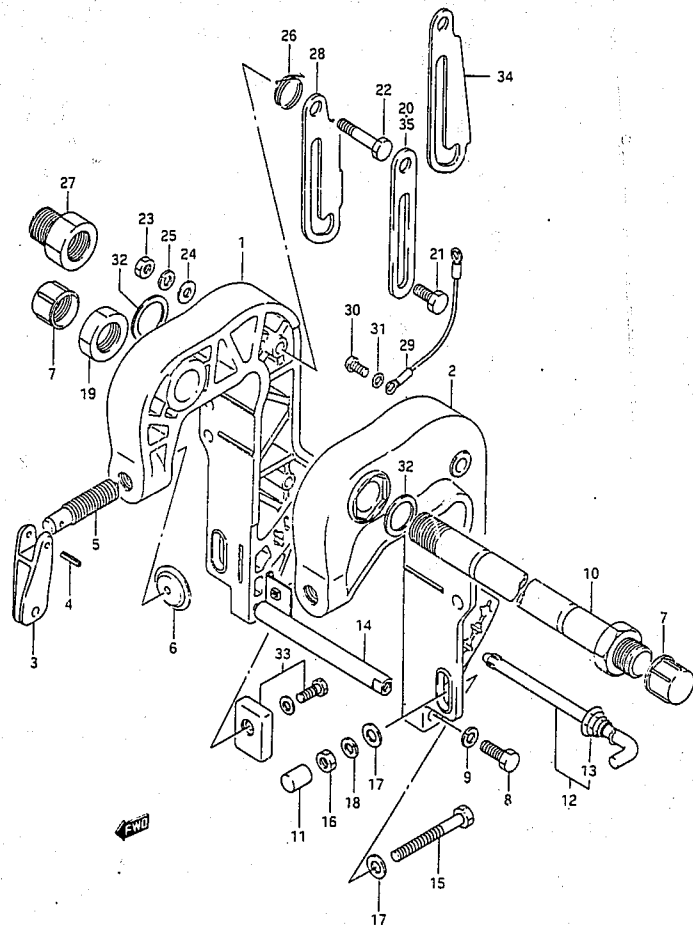


FIG.17

18

FIG.17 (D- 3) SWIVEL BRACKET

Q'TY

REF.NO.	PART NO.	DESCRIPTION	REMARKS
1	43750-94307-10V	BRACKET, steering	1
2	09100-08224	BOLT (8x35)	1
3	09160-08015	WASHER (8.5x16x1.6)	1
4	09440-11021	SPRING (d:1.4phi)	1
5	09343-12004	BOOTS (L:60+2L)	1
6	09443-12032	SPRING, reverse lock	1
7	45231-94301	ARM, reverse lock	1
8	43411-94300	ADJUSTER, steering	1
9	09306-26006	BUSHING, upper	1
10	43111-94310-10V	BRACKET, swivel	1
11	22511-99003	GREASE NIPPLE	3
12	09306-26005	BUSHING, lower	1
13	09161-26001	WASHER (26.7x48x2)	1
14	43241-93102	MARK, release lower	1
15	45255-93000	RUBBER, lever	1
16	45261-94301	LEVER, release	1
17	45254-94300	PIN, release arm	1
18	45250-94302	LINK, release arm	1
19	45243-94301	PIN, reverse lock arm	1
20	09204-01001	PIN, cotter	1
21	45241-94301	LINK, reverse lock	1
22	09160-08015	WASHER (8.5x16x1.6)	2
23	09100-08232	BOLT (8x30)	2
24	43754-94301-10V	COVER, bracket	1
25	09132-05024	SCREW	2

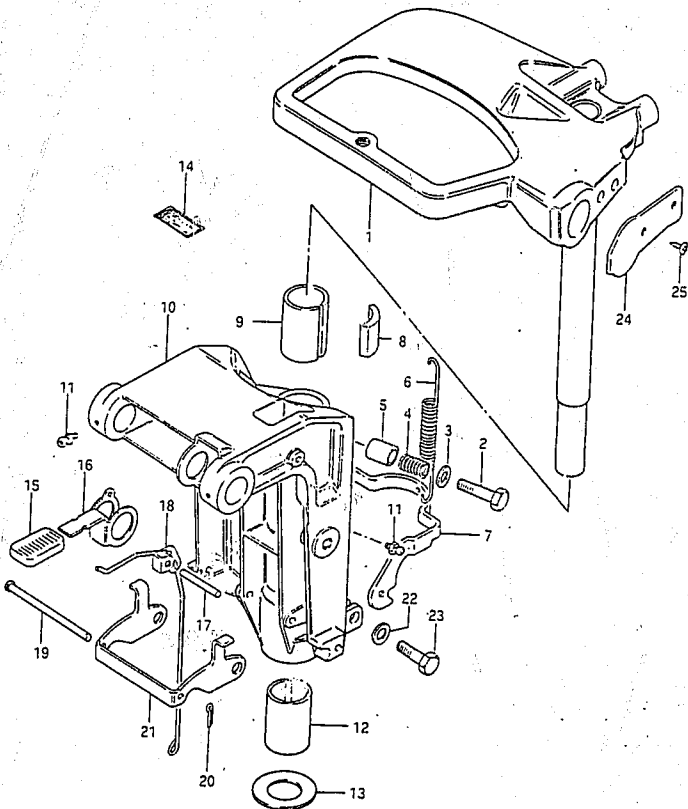
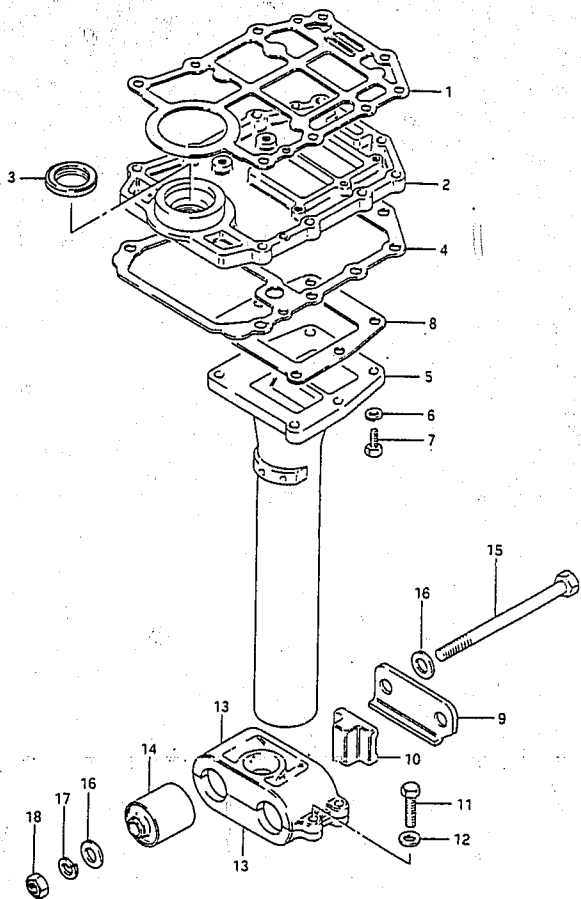


FIG. 18



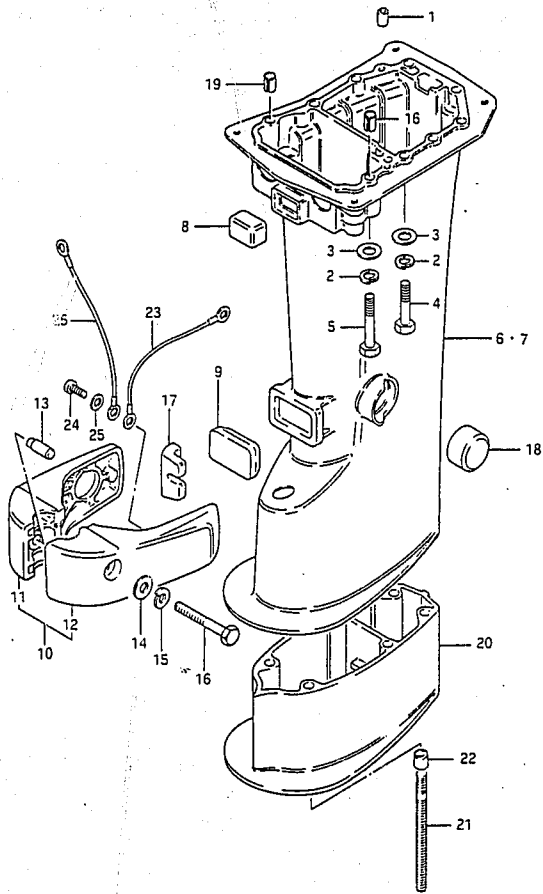
19

FIG. 18 (D- 4) EXHAUST TUBE

Q'TY

REF.NO.	PART NO.	DESCRIPTION	Q'TY	REMARKS
1	11433-94303	GASKET	1	
2	11431-94303	HOUSING, lower oil seal	1	
3	09282-30005	OIL SEAL	1	
4	32113-94300	GASKET, housing	1	
5-1	52141-94321	TUBE, exhaust	1	C TYPE
5-2	52141-94331	TUBE, exhaust	1	A/B TYPE
6	09162-06001	LOCK WASHER	6	
7	09100-06115	BOLT (6x15)	1	
8	14215-94300	GASKET, exhaust tube	1	
9	54123-94300	PLATE	1	
10	54121-94300	MOUNTING, upper thrust	1	
11	09100-08224	BOLT (8x35)	4	
12	09160-08015	WASHER (8.5x16x1.6)	4	
13	54137-94300	CASE, upper mounting	2	
14	54130-94300	MOUNTING, upper	2	
15	09100-10190	BOLT (10x145)	2	
16	09160-10082	WASHER (10.5x18x1.6)	4	
17	09162-10005	LOCK WASHER	2	
18	09140-10031	NUT	2	

FIG.19



20

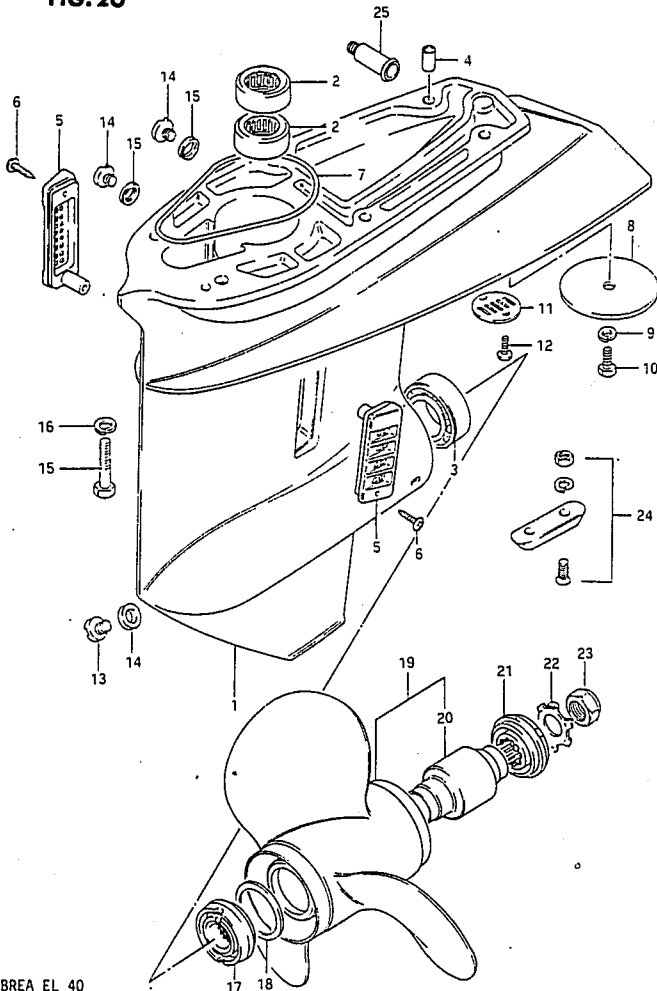
FIG.19 (D- 5) DRIVESHAFT HOUSING

Q'TY

REMARKS

REF.NO.	PART NO.	DESCRIPTION	Q'TY	REMARKS
1	09202-06015	DOWEL PIN	2	
2	09162-08003	LOCK WASHER	9	
3	09160-08015	WASHER	9	
4	09100-08160	BOLT (8x45)	7	
5	09100-08233	BOLT (8x65)	2	
6	52111-94321-10V	HOUSING, driveshaft	1	B TYPE
7	52111-94331-10V	HOUSING, driveshaft	1	A/C TYPE
8	54125-94300	MOUNTING, thrust reverse	1	
9	54151-94300	MOUNTING, lower thrust	1	
10	54211-94310-10V	COVER, lower mount, STBD	1	
11	54221-94310-10V	COVER, lower mount, PORT	1	
12	54213-93900	PIN	2	
13	09160-08015	WASHER (8.5x16x1.6)	2	
14	09162-08003	LOCK WASHER	2	
15	09100-08231	BOLT (8x75)	2	
16	54161-94300	MOUNTING, lower	2	
17	54167-94300	MOUNTING, lower side	2	
18	09180-08142	SPACER, housing (8x10x19)	2	
19	52131-94340-10V	CASE, extension	1	C TYPE
20	09108-08151	STUD BOLT (8x18)	6	C TYPE
21	09206-11006	PIN	2	
22	36894-95200	LEAD	2	
23	09125-05050	SCREW	3	
24	09161-05014	WASHER	3	

FIG. 20



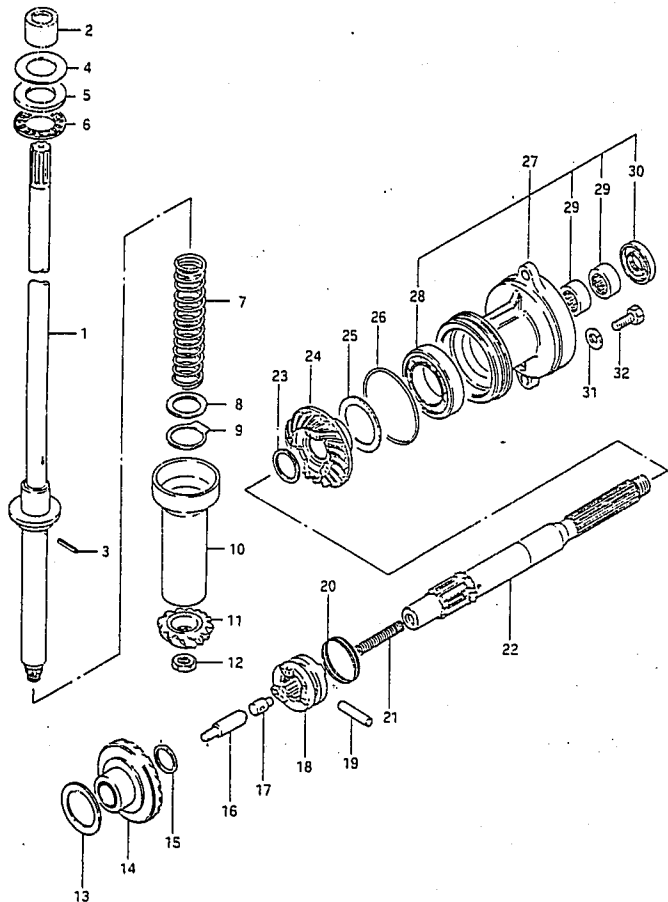
21

FIG.20 (D- 6) GEAR CASE

Q'TY

REF.NO.	PART NO.	DESCRIPTION	Q'TY	REMARKS
1	55100-94310-10V	CASE SET, gear	1	
2	09263-22029	.BEARING, pinion	2	
3	09265-30004	.BEARING, propeller shaft	1	
4	09206-11017	DOWEL PIN (OD:M,L:20)	2	
5	17631-93402	FILTER, water	2	
6	03142-04259	SCREW	2	
7	55122-94300	SEAL, gear case	1	
8	55125-94400	TRIM TAB	1	
9	09162-08003	LOCK WASHER	1	
10	09100-08215	BOLT (8x16)	1	
11	55114-98502	COVER, gear case lower	1	
12	09132-04022	TAPPING SCREW	2	
13	09248-10005	PLUG, drain	3	
14	09168-10022	GASKET, drain plug	3	
15	09100-08220	BOLT (8x40)	6	
16	09162-08003	LOCK WASHER	6	
17	57632-95305	STOPPER, propeller bushing	1	
18	09160-32006	WASHER (32.6x45x1)	0-1	
19-1	58100-94302-10V	PROPELLER (3x11-1/2x9)	1	S900
19-2	58100-95222-10V	PROPELLER (3x11-1/4x11)	1	S1100
19-3	58100-95353-10V	PROPELLER (3x11-3/8x14)	1	S1400
19-4	58100-94411	PROPELLER (3x11-3/8x14)	1	SS1400, stainless steel
19-5	58100-94313-10V	PROPELLER (3x11-1/2x13)	1	S1301, STD
19-6	58100-94401	PROPELLER (3x11-1/2x13)	1	SS1300, stainless steel
19-7	58100-95393-10V	PROPELLER (3x11-5/8x12)	1	S1200
20	58120-95300	.BUSH, propeller	1	
21	57633-94300	SPACER, propeller nut	1	
22	57635-95300	WASHER	1	
23	09159-18004	NUT, propeller	1	
24	55300-95500	ZINC ASSY, protection	1	OPT
25	55181-95200	ATTACHMENT, flushhose	1	OPT

FIG. 21

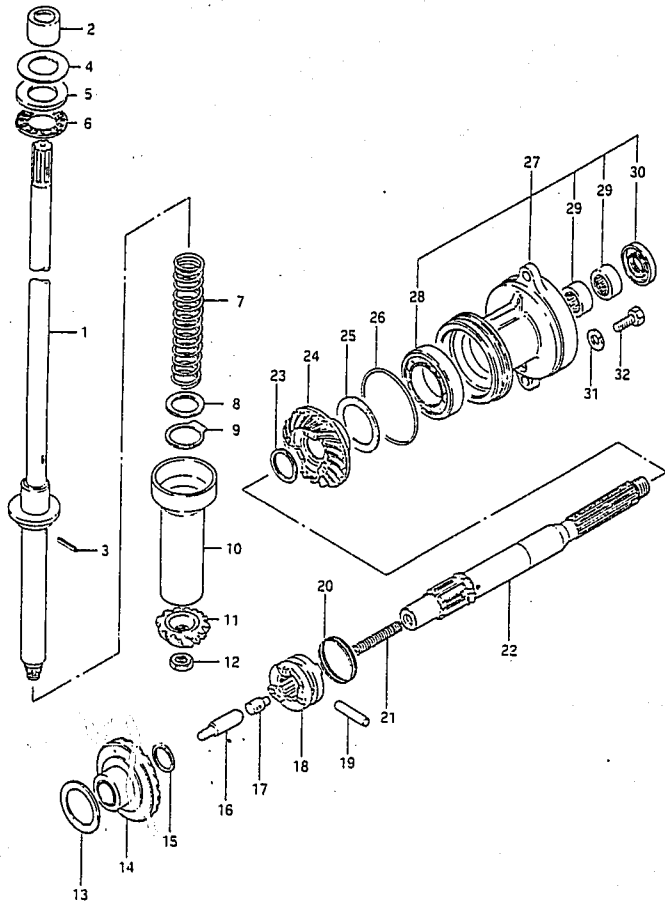


22

FIG. 21 (D- 7) TRANSMISSION

REF.NO.	PART NO.	DESCRIPTION	Q'TY	REMARKS
1-1	57110-94304	SHAFT, drive	1	B TYPE
1-2	57110-94314	SHAFT, drive	1	A TYPE
1-3	57110-94351	SHAFT, drive	1	C TYPE
2	57130-94301	BUSHING (17x27x24)	1	
3	09205-03019	PIN	1	
4-1	08221-30425	SHIM (T:0.5)	0-1	
4-2	09181-30004	SHIM (T:0.6)	0-1	
4-3	09181-30005	SHIM (T:0.7)	0-1	
4-4	08221-30426	SHIM (T:0.8)	0-1	
4-5	09181-30006	SHIM (T:0.9)	0-1	
4-6	08211-30421	THRUST WASHER (T:1)	0-1	
5	09160-26008	WASHER (26x42x3)	1	
6	09269-25014	BEARING, thrust	1	
7	09440-27009	SPRING	1	
8	08211-22303	THRUST WASHER	1	
9	09166-22005	THRUST WASHER	1	
10	57133-94301	COLLAR	1	
11	57311-94310	PINION	1	
12	09140-12021	NUT	1	
13-1	08221-30425	SHIM (T:0.5)	0-1	
13-2	09181-30004	SHIM (T:0.6)	0-1	
13-3	09181-30005	SHIM (T:0.7)	0-1	
13-4	08221-30426	SHIM (T:0.8)	0-1	
13-5	09181-30006	SHIM (T:0.9)	0-1	
13-6	08211-30421	THRUST WASHER (T:1)	0-1	
14	57510-94310	GEAR, forward	1	
15-1	08211-20263	THRUST WASHER (T:2)	0-1	
15-2	08211-20264	THRUST WASHER (T:2.2)	0-1	
16	57631-95201	ROD, push	1	
17	09209-08016	PIN, push	1	
18	57621-94301	SHIFTER, clutch dog	1	
19	09202-05019	PIN	1	

FIG. 21



23

FIG. 21 (D- 8) TRANSMISSION

REF.NO.	PART NO.	DESCRIPTION	Q'TY	REMARKS
20	09440-38004	SPRING, dog	1	
21	09440-07041	SPRING, return	1	
22	57610-94302	SHAFT, propeller	1	
23-1	09160-22018	THRUST WASHER (T:1.8)	0-1	
23-2	09160-22019	THRUST WASHER (T:1.9)	0-1	
23-3	09160-22020	THRUST WASHER (T:2.0)	0-1	
23-4	09160-22021	THRUST WASHER (T:2.1)	0-1	
23-5	09160-22022	THRUST WASHER (T:2.2)	0-1	
23-6	09160-22023	THRUST WASHER (T:2.3)	0-1	
24	57521-94310	GEAR, reverse	1	
25-1	09181-35001	SHIM (T:0.1)	0-1	
25-2	09181-35002	SHIM (T:0.2)	0-1	
25-3	09181-35003	SHIM (T:0.5)	0-1	
25-4	09181-35009	SHIM (T:0.6)	0-1	
25-5	09181-35010	SHIM (T:0.7)	0-1	
25-6	08221-35456	SHIM (T:0.8)	0-1	
25-7	09181-35011	SHIM (T:0.9)	0-1	
25-8	08211-35451	SHIM (T:1.0)	0-1	
26	09280-75001	O RING	1	
27-1	56120-94320-10V	HOUSING, propeller shaft	1	
27-2	56120-94380-10V	HOUSING, propeller shaft	1	OPT
28	09262-35021-0AO	.BEARING	1	
29	09263-22020	.BEARING	2	
30	09289-22007	.OIL SEAL	2	
31	09162-08003	LOCK WASHER	2	
32	09100-08232	BOLT (8x30)	2	

FIG. 22

FIG. 22 (E- 2) LOWER COVER

Q'TY

REF.NO.	PART NO.	DESCRIPTION	Q'TY	REMARKS
1	61110-94308-10V	COVER, lower	1	
2	61113-94301	SEAL	1	
3	09180-06112	SPACER (6.8x10x11.5)	4	
4	09320-10034	CUSHION	4	
5	09160-06099	WASHER (6.5x22x2)	4	
6	09100-06120	BOLT (6x25)	4	
7	61139-94300	BLOCK, RH/LH	2	L:200
8	09100-06131	BOLT	1	
9	09162-06001	LOCK WASHER	1	
10	09160-06036	WASHER	1	
11	61631-98101	HOOK, lower cover	1	
12	09164-13005	WAVE WASHER	1	
13	09306-13002	BUSHING	1	
14	61633-96002-10V	LEVER, hook	1	
15	67410-94302	SHAFT, throttle	1	
16	09306-10001	BUSHING	1	
17	67417-94301-10V	ARM, throttle	1	
18	09205-04002	SPRING PIN	1	
19	09119-05010	BALL, pivot	1	
20	67413-94300	ROD	1	
21	09250-30003	CAP, switch hole	1	
22	39669-93502	CAP, consent	1	
23	13625-94300	CAP, choke rod guide	1	
24	22511-99003	NIPPLE, grease	1	

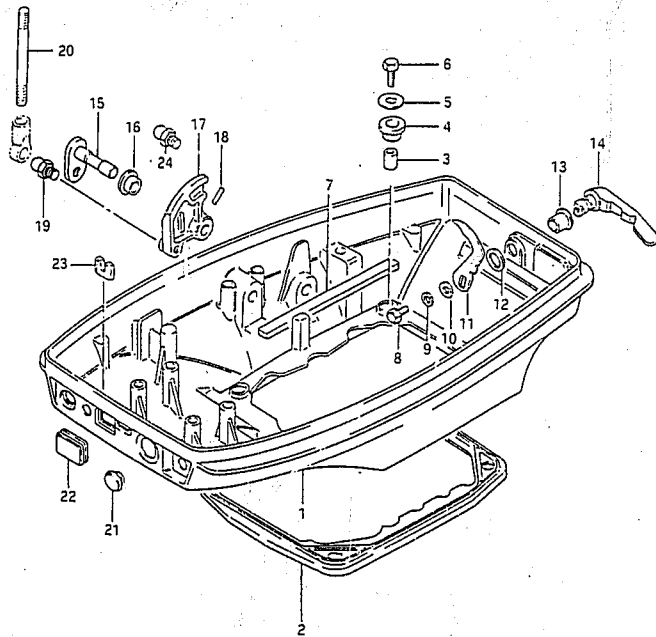
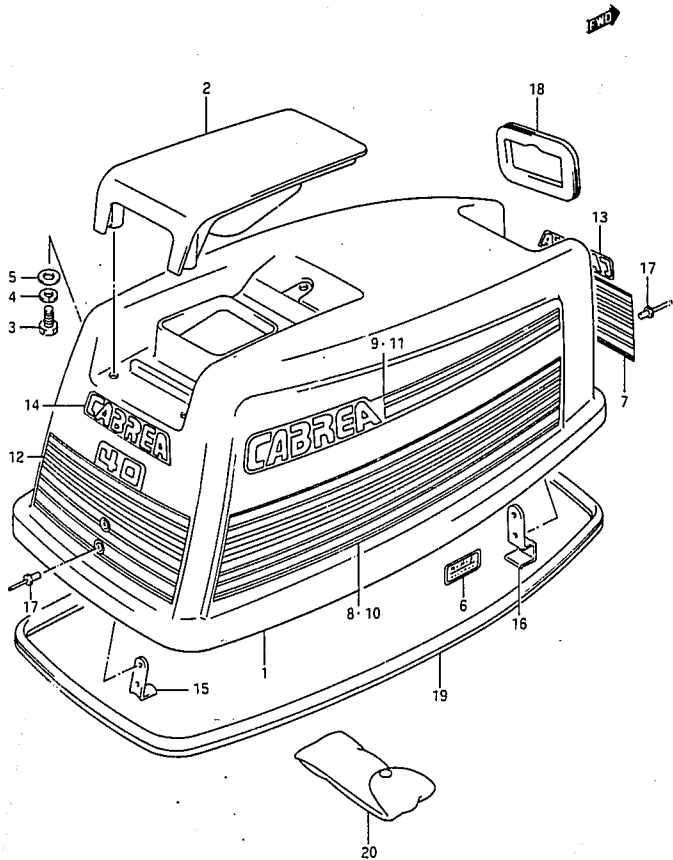


FIG. 23



CABREA EL 40

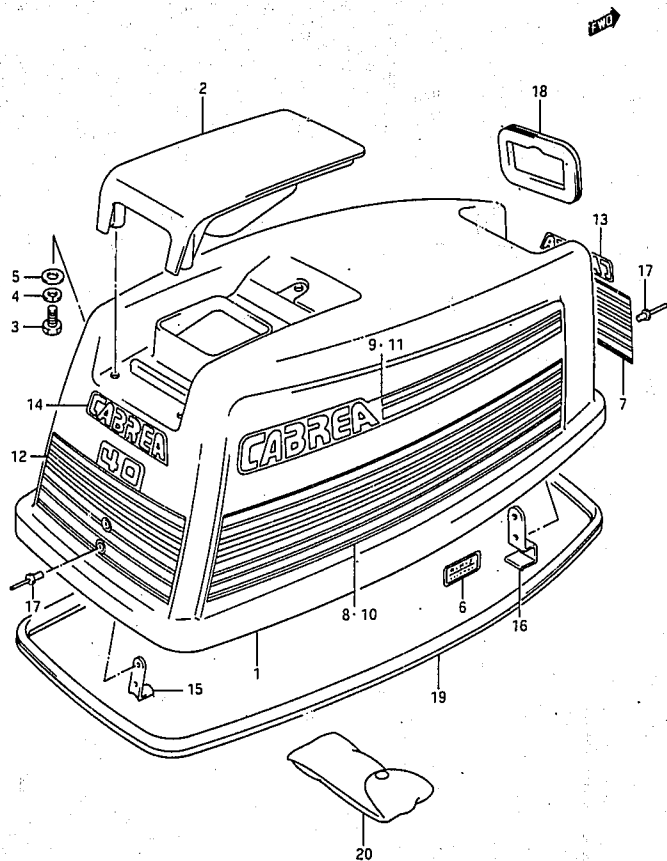
FIG. 23 (E-3) ENGINE COVER

Q'TY

REF.NO.	PART NO.	DESCRIPTION	Q'TY	REMARKS
1-1	61405-94830-10V	COVER SET, engine	1	DECAL:GOLD
1-2	61405-94840-33X	COVER SET, engine	1	DECAL:BLUE
1-3	61405-94850-34X	COVER SET, engine	1	DECAL:BLACK
2	61431-94301-10V	.HANDLE, tilt up	1	
3	09100-06126	.BOLT	3	
4	09162-06006	.LOCK WASHER	3	
5	09160-06036	.WASHER (6.5x18x1.5)	3	
6	21131-96003	.MARK, clutch shifting	1	
7-1	61422-94380-2MN	.MARK, emblem front (Gold)	1	DECAL:10V
7-2	61422-94380-8LB	.MARK, emblem front (Blue)	1	DECAL:33X
7-3	61422-94380-2MP	.MARK, emblem front (Gray)	1	DECAL:34X
8-1	61443-94380-2MN	.DECAL, lower STBD (Gold)	1	DECAL:10V
8-2	61443-94380-8LB	.DECAL, lower STBD (Blue)	1	DECAL:33X
8-3	61443-94380-2MP	.DECAL, lower STBD (Gray)	1	DECAL:34X
9-1	61444-94380-2MR	.DECAL, upper STBD (Gold)	1	DECAL:10V
9-2	61444-94380-2MS	.DECAL, upper STBD (Blue)	1	DECAL:33X
9-3	61444-94380-2MT	.DECAL, upper STBD (Gray+Red)	1	DECAL:34X
10-1	61453-94380-2MN	.DECAL, lower port (Gold)	1	DECAL:10V
10-2	61453-94380-8LB	.DECAL, lower port (Blue)	1	DECAL:33X
10-3	61453-94380-2MP	.DECAL, lower port (Gray)	1	DECAL:34X
11-1	61454-94380-2MR	.DECAL, upper port (Gold)	1	DECAL:10V
11-2	61454-94380-2MS	.DECAL, upper port (Blue)	1	DECAL:33X
11-3	61454-94380-2MT	.DECAL, upper port (Gray+Red)	1	DECAL:34X
12-1	61435-94380-2MN	.MARK, emblem, rear (Gold)	1	DECAL:10V
12-2	61435-94380-8LB	.MARK, emblem, rear (Blue)	1	DECAL:33X
12-3	61435-94380-2MP	.MARK, emblem, rear (Gray)	1	DECAL:34X
13-1	61441-93910-7ZR	.MARK, ornament, front (Black)	1	DECAL:10V
13-2	61441-93910-8LB	.MARK, ornament, front (Blue)	1	DECAL:33X
13-3	61441-93910-2MP	.MARK, ornament, front (Gray)	1	DECAL:34X
14-1	61441-93930-7ZR	.MARK, ornament, rear (Black)	1	DECAL:10V
14-2	61441-93930-8LB	.MARK, ornament, rear (Blue)	1	DECAL:33X
14-3	61441-93930-2MP	.MARK, ornament, rear (Gray)	1	DECAL:34X

CABREA EL 40

FIG. 23



CABREA EL 40

26

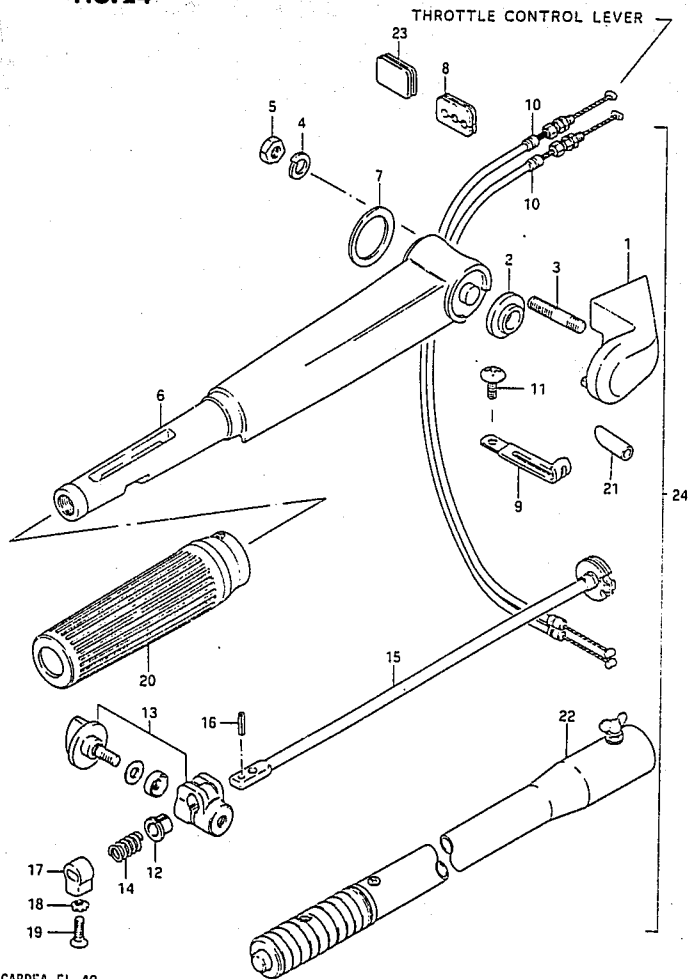
FIG. 23 (E- 4) ENGINE COVER

REF.NO.	PART NO.	DESCRIPTION	Q'TY	REMARKS
15	61611-94300	.FASTENER, cover	1	
16	61412-94300	.HOOK, cover	1	
17	09229-04018	.RIVET	4	
18	61622-96301	RUBBER, recoil starter seal	1	
19	61112-94303	RUBBER, lower cover	1	
20	09800-81800	TOOL ASSY	1	

CABREA EL 40

E4

FIG. 24



CABREA EL 40

27

FIG. 24 (E- 5) HANDLE

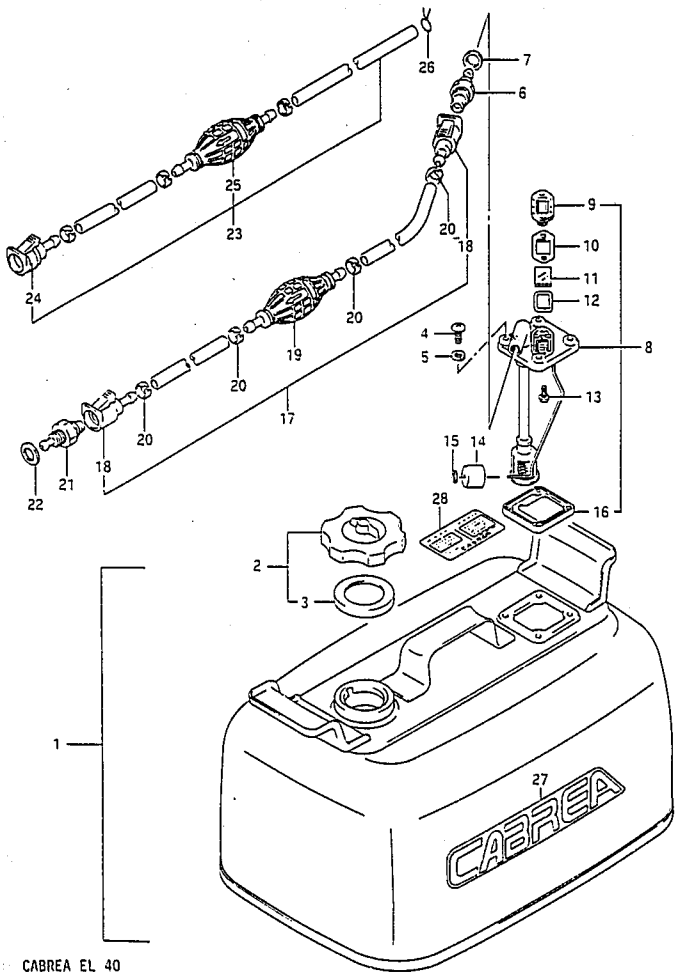
Q'TY

REF.NO.	PART NO.	DESCRIPTION	REMARKS
1	63121-96302-10V	COVER, tiller handle	1
2	63114-94300	SPACER	1
3	09108-08147	STUD BOLT	2
4	09162-08007	LOCK WASHER	2
5	09140-08016	NUT	2
6	63111-96311-10V	HANDLE, tiller	1
7	63115-96301	SPACER	1
8	63625-96300	GROMMET	1
9-1	09404-06203	CLAMP (L:55)	1
9-2	09404-06204	CLAMP (L:65)	1
10	63610-94302	CABLE, throttle	2 GRIP TO LEVER
11	09125-06033	SCREW	1
12	63225-93200	BUSHING	1
13	63240-96300	ADJUSTER SET, handle grip	1
14	09440-12027	SPRING	1
15	63220-94301	ROD, handle	1
16	63227-93200	PIN, handle rod (L:14)	1
17	63223-93201	STOPPER	1
18	09163-06001	LOCK WASHER	1
19	09126-06006	SCREW (6x20)	1
20	63210-93901	GRIP, handle	1
21	63117-96300	COVER, stop switch wire	1
22	63300-94300	BAR ASSY, extension	1 OPT
23	63625-94300	GROMMET	1
24	63001-94310-10V	TILLER HANDLE ASSY	1 OPT

CABREA EL 40

E5

FIG. 25



CABREA EL 40

28

FIG. 25 (E- 6) FUEL TANK

Q'TY

REMARKS

REF.NO.	PART NO.	DESCRIPTION	Q'TY	REMARKS
1	65800-92830	TANK SET, fuel (24L)	1	6.3 U.S GAL/5.3 IMP GAL
2	65510-92000	.CAP ASSY, separate tank	1	
3	65561-92000	..GASKET, tank cap	1	
4	02152-06162	.SCREW	4	
5	09168-06026	.GASKET	4	
6	65720-94411	.CONNECTOR, fuel	1	
7	09168-12015	.GASKET, connector	1	
8	65850-92001	.GAUGE ASSY, fuel	1	
9	65855-92000	..COVER, gauge	1	
10	65854-92020	..GASKET	1	
11	65853-92000	..LENS	1	
12	65854-92030	..GASKET, lens	1	
13	03242-04109	..SCREW	2	
14	65864-92000	..FLOAT	1	
15	65866-92000	..NUT, push	1	
16	65871-92000	..GASKET, fuel	1	
17	65700-87D15	HOSE, fuel	1	W/TANK
18	65750-94403	.CONNECTOR, fuel	2	W/TANK
19	65770-95503	.PUMP, squeeze	1	W/TANK
20	65781-98500	.CLIP	4	W/TANK
21	65720-94401	CONNECTOR, fuel	1	
22	09161-10007	WASHER	1	
23	65700-98581	HOSE, fuel	1	OPT
24	65750-94403	.CONNECTOR, fuel	1	OPT
25	65770-93902	.PUMP, squeeze	1	OPT
26	09401-11402	.CLIP	3	OPT
27	61441-93940	MARK, ornament fuel tank	1	
28	65316-87D50	MARK, fuel caution	1	

CABREA EL 40

E6

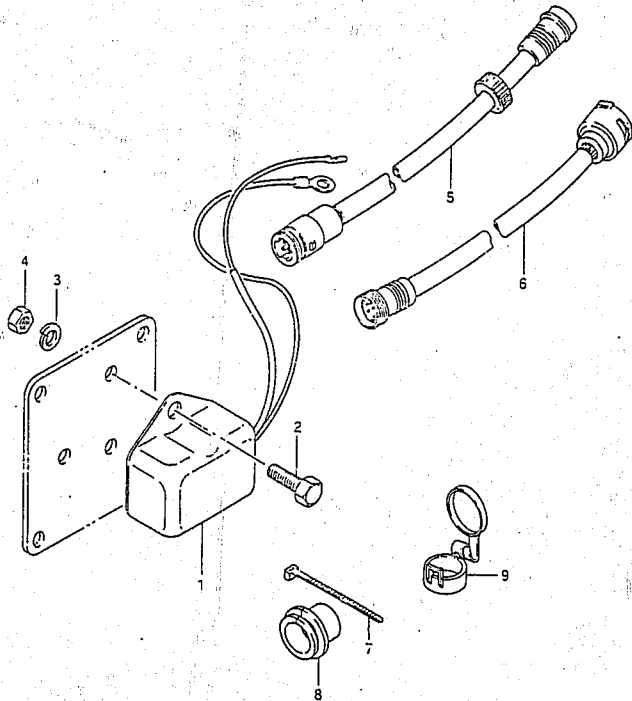
FIG. 26

29

FIG. 26 (F- 2) OPTIONAL : ELECTRICAL

Q'TY

REF. NO.	PART NO.	DESCRIPTION	REMARKS
1	32500-95722	REGULATOR ASSY, voltage	1
2	01107-06207	BOLT	2
3	08321-21067	LOCK WASHER	2
4	08310-11067	NUT	2
5	36641-94701	ADAPTER, O.N.	1
6	36642-94703	ADAPTER, N.O.	1
7	36632-95501	CLAMP, connector grommet	1
8	36639-94300	GROMMET, harness connector	1
9	36631-94300	CAP	1



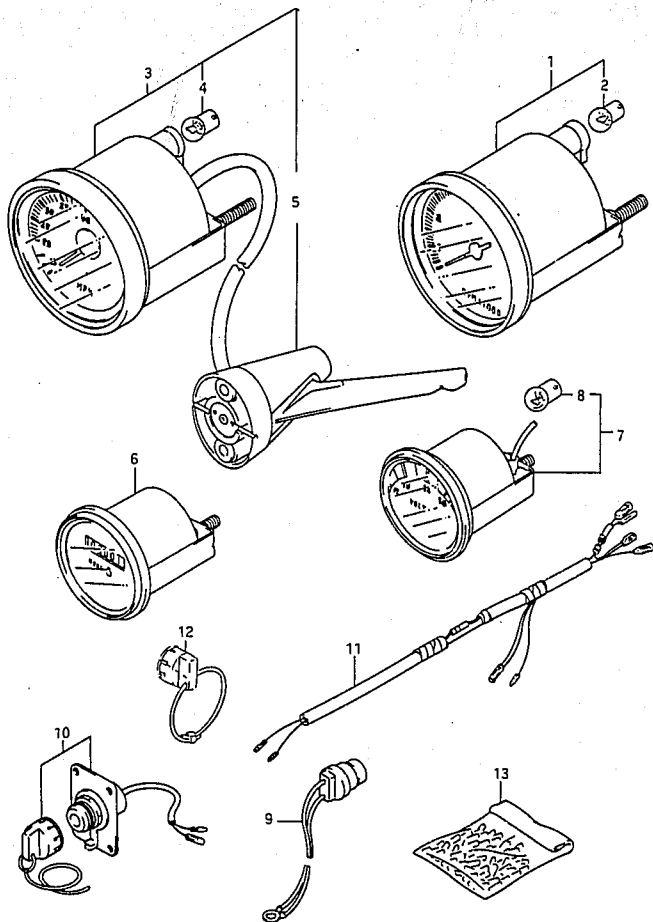


FIG. 27 (F- 3) OPTIONAL : METER

Q'TY

REMARKS

REF. NO.	PART NO.	DESCRIPTION	Q'TY	REMARKS
1	34200-87030	TACHOMETER ASSY	1	
2	09471-12001	.BULB (12V,3.4W)	1	
3	34100-87030	SPEEDOMETER ASSY.	1	
4	09471-12001	.BULB (12V,3.4W)	1	
5	34190-95500	.SENSOR ASSY, speed meter	1	
6	34500-87D10	METER ASSY, hour	1	
7	34600-87D20	METER ASSY, voltage	1	
8	09471-12001	.BULB (12V,3.4W)	1	
9	34850-94700	SWITCH, heat	1	
10	34108-94510	SWITCH ASSY, meter	1	
11	34109-94500	LEAD, meter extension	1	
12	37141-94300	KEY, ignition switch	1	
13	36990-87D00	TERMINAL & SLEEVE SET	1	

FIG.28 (F- 4) OPTIONAL : REMOTE CONTROL PARTS
Q'TY

REF.NO.	PART NO.	DESCRIPTION	REMARKS
1	67130-94302-10V	REMOTE CONTROL PARTS	1
2	67341-94302	.HOLDER	2
3	67440-93701	.GUIDE, clutch cable	1
4	09205-02006	..SPRING PIN	1
5	09440-09025	..SPRING	1
6	09160-06015	.WASHER (6.5x13x1)	3
7	09100-06115	.BOLT	3
8	67466-95200	.GUIDE, throttle cable	1
9	67414-94301-10V	.LEVER, throttle	1
10	09119-06047	.BALL PIVOT	1

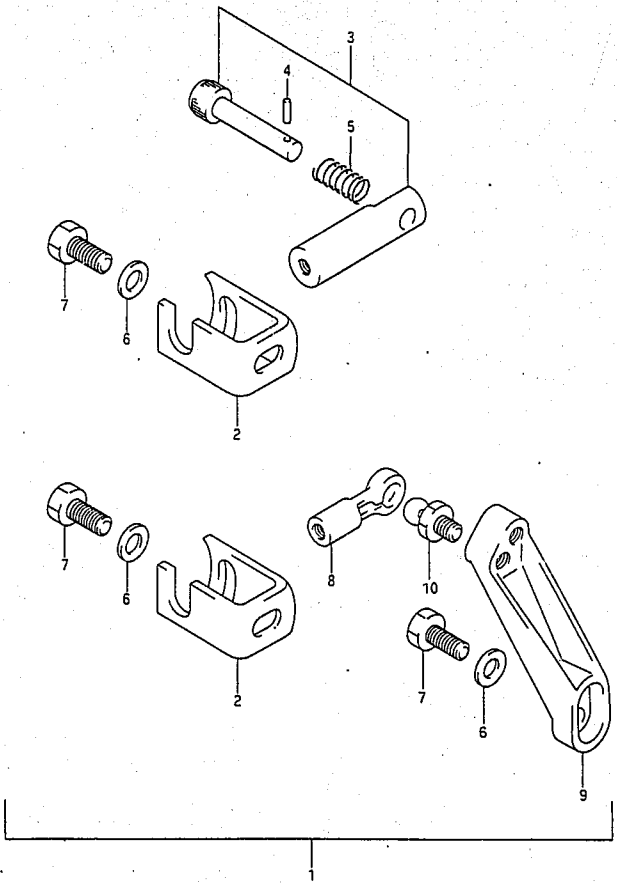


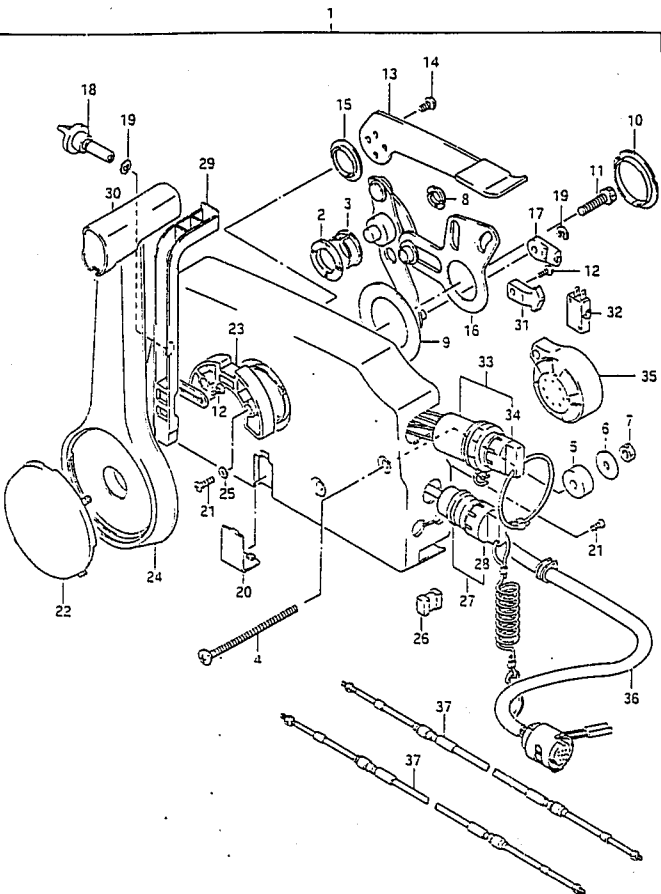
FIG. 29

32

FIG. 29 (F- 5) OPTIONAL : REMOTE CONTROL

Q'TY

REF.NO. PART NO. DESCRIPTION REMARKS

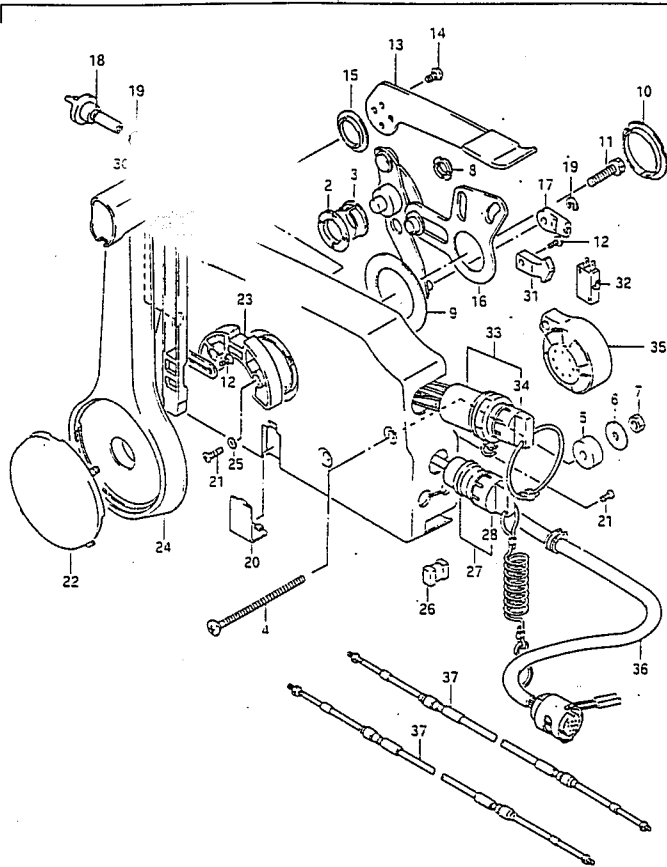


1	67200-96401-10V	REMOTE CONTROL BOX ASSY	1
2	67232-95600	.BUSH	1
3	67232-95620	.BUSH	1
4	67296-95600	.SCREW	3
5	67294-95600	.SPACER	3
6	67288-94310	.WASHER	3
7	09140-06004	.NUT	3
8	67232-95610	.BUSH	2
9	67253-95600	.WASHER	1
10	67252-95600	.BUSH	2
11	09100-08232	.BOLT	1
12	67296-94300	.SCREW	3
13	67241-95650	.LEVER, free throttle	1
14	09126-05003	.SCREW	2
15	67243-95600	.BUSH	1
16	67220-95600	.PLATE ASSY	1
17	67275-95600	.END, cable	2
18	67223-95600	.KNOB, brake ADJ	1
19	67292-94300	.E RING	3
20	67267-95610	.COVER, wire (Black)	1
21	67296-95610	.SCREW	7
22	67257-95610	.CAP, lever (Black)	1
23	67256-95600	.HOLDER, neut lock	1
24	67251-95650	.LEVER, handle	1
25	67297-95600	.WASHER	2
26	67273-95600	.SPACER	1
27	37820-95500	.SWITCH ASSY, emergency	1
28	37823-94400	.CAP & ROPE	1
29	67255-95600	.ARM, neutral lock	1

FIG. 29

FIG. 29 (F- 6) OPTIONAL : REMOTE CONTROL

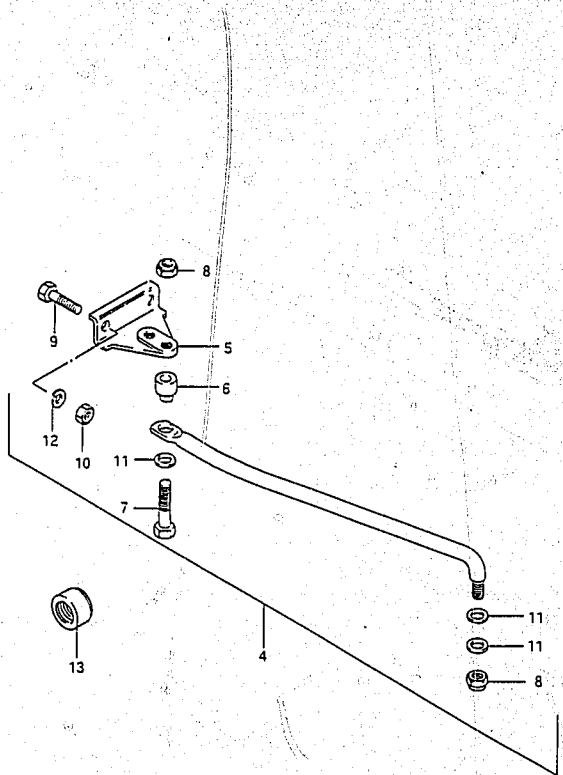
Q'TY



REF.NO.	PART NO.	DESCRIPTION	Q'TY	REMARKS
30	67261-95610	.GRIP	1	
31	67214-95600	.ACTUATOR	1	
32	37721-94600	.SWITCH, neutral	1	
33	37110-95500	.IGNITION SWITCH	1	
34	37141-95500	..KEY	1	
35	38500-87D10	.BUZZER	1	
36	36620-94610	.WIRING HARNESS 7 WIRES	1	
37-1	67320-95500	CABLE, remocon 6F (1.8m)	2	
37-2	67320-95510	CABLE, remocon 7F (2.1m)	2	
37-3	67320-95520	CABLE, remocon 8F (2.4m)	2	
37-4	67320-95530	CABLE, remocon 9F (2.7m)	2	
37-5	67320-95540	CABLE, remocon 10F (3.1m)	2	
37-6	67320-95550	CABLE, remocon 11F (3.4m)	2	
37-7	67320-95560	CABLE, remocon 12F (3.7m)	2	
37-8	67320-95570	CABLE, remocon 13F (4.0m)	2	
37-9	67320-95580	CABLE, remocon 14F (4.3m)	2	
37-10	67320-95590	CABLE, remocon 15F (4.6m)	2	
37-11	67320-95600	CABLE, remocon 16F (4.9m)	2	
37-12	67320-95610	CABLE, remocon 17F (5.2m)	2	
37-13	67320-95620	CABLE, remocon 18F (5.5m)	2	
37-14	67320-95630	CABLE, remocon 19F (5.8m)	2	
37-15	67320-95640	CABLE, remocon 20F (6.1m)	2	
37-16	67320-95650	CABLE, remocon 22F (6.7m)	2	

FIG. 30

FIG.30 (F- 7) OPTIONAL : TIE ROD



REF.NO.	PART NO.	DESCRIPTION	Q'TY	REMARKS
4	67701-94301	DRAG LINK ASSY	1	
5	43755-96301	.ATTACHMENT, steering bracket	1	
6	67721-94300	.SPACER	1	
7	67725-94501	.BOLT	1	
8	67726-94500	.NUT	1	
9	09100-08224	.BOLT	2	
10	09140-08016	.NUT	2	
11	67728-94501	.WASHER	3	
12	09162-08007	.LOCK WASHER	2	
13	41161-94400	SEAL, steering cable	1	